



T. M. Reg. U. S. Pat. Off.
NATIONAL REJECTORS, INC.
 SUPPLEMENT TO
 SIMPLEX
 COIN CHANGER SERVICE MANUAL

REPLACEMENT PARTS LIST

SERIES NDQ-4900 and NDQ-4910 REJECTORS

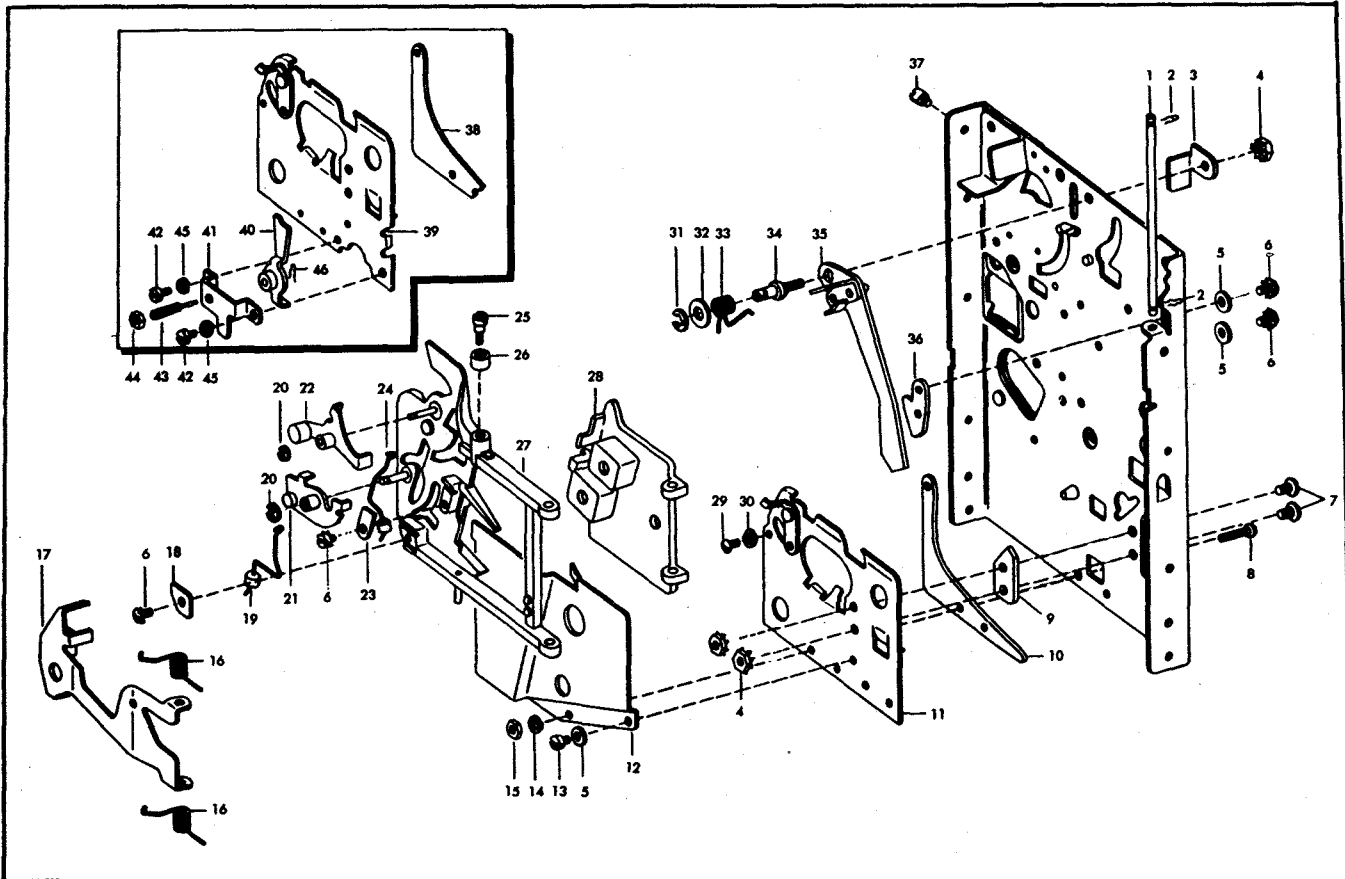


Fig. and Index No.	Part Number	Part Description	Total Quantity	Fig. and Index No.	Part Number	Part Description	Total Quantity
1-1	200-154	Rod - Main Scavenger	1	1-24	4600-52A	Wire Assem. - 25c Washer Retainer	1
-2	HPC-111	Cotter - Hair Pin	2	-25	260-22	Stud - Wiper Blade Bracket Cam Roller	1
-3	200-116	Guide - Rear Insert	1	-26	260-21	Roller - Wiper Blade Bracket Cam	1
-4	N-12S	Nut - No. 8 - 32 Hex.	3	-27	4900-7A-4905	Scavenger Assembly - 5-25c	1
-5	BW-3	Washer - No. 6 Brass	3	-28	4900-2A	Bracket - 5-25c Magnet	1
-6	S-100S	Screw - No. 6 - 32x3/16" R.H.I.M. Sems	4	-29	S-43	Screw - No. 4 - 36x1/4" R.H.I.M.	1
-7	S-134	Screw - No. 8 - 32x3/8" R.H.I.M.	2	-30	LW-1	Lockwasher - No. 4	1
-8	S-106	Screw - No. 6 - 32x5/8" R.H.I.M.	1	-31	12-21	Washer - "C"	1
-9	260-15	Anvil	1	-32	BW-5	Washer - No. 10 Brass	1
-10	200-147	Spacer - 5c Cover Plate	1	-33	260-10	Spring - 5-25c Wiper Blade	1
-11	200-157A	Cover Plate Assembly - 5c	1	-34	260-25	Screw - 5-25c Wiper Blade Shoulder	1
-12	200-126	Plate - Slug Cover	1	-35	260-37A-299	Wiper Blade Assembly - 5-25c	1
-13	200-215	Screw - Separator Fastening	1	-36	200-51	Stop - 5-25c Wiper Blade	1
-14	LW-2	Washer - No. 6 Lock	1	-37	1100-5	Stud - Slug Rejector Mounting	1
-15	N-11	Nut - No. 6 - 32x1/4" Hex. I.	1	Parts for the Slug Rejector used on the 10c Sale 3400 Series Changer			
-16	260-50	Spring - Main Scavenger	2	-38	200-147-270	Spacer - 5c Cover Plate	1
-17	4900-1	Knockout - 5-25c	1	-39	200-157A-270	Plate Assembly - 5c Cover	1
-18	4600-20	Plate - 5c Washer Retainer Wire	1	-40	270-11A	Lever Assembly - 5c	1
-19	4600-54A	Wire Assembly - 5c Washer Retainer	1	-41	270-1	Bracket - 5c Lever	1
-20	601-82	Ring - Retaining	2	-42	1200-82	Screw - Special Fastening	2
-21	4600-42A-4900	Cradle Assembly - 5c Undersize	1	-43	270-8	Screw - Adjusting	1
-22	200-100A	Lever Assembly - 25c Undersize	1	-44	270-9	Nut - Adjusting Screw	1
-23	4600-21	Plate - 10-25c Washer Retainer Wire	1	-45	LW-2	Lockwasher - No. 6	2
				-46	HPC-111	Cotter - Hair Pin	1

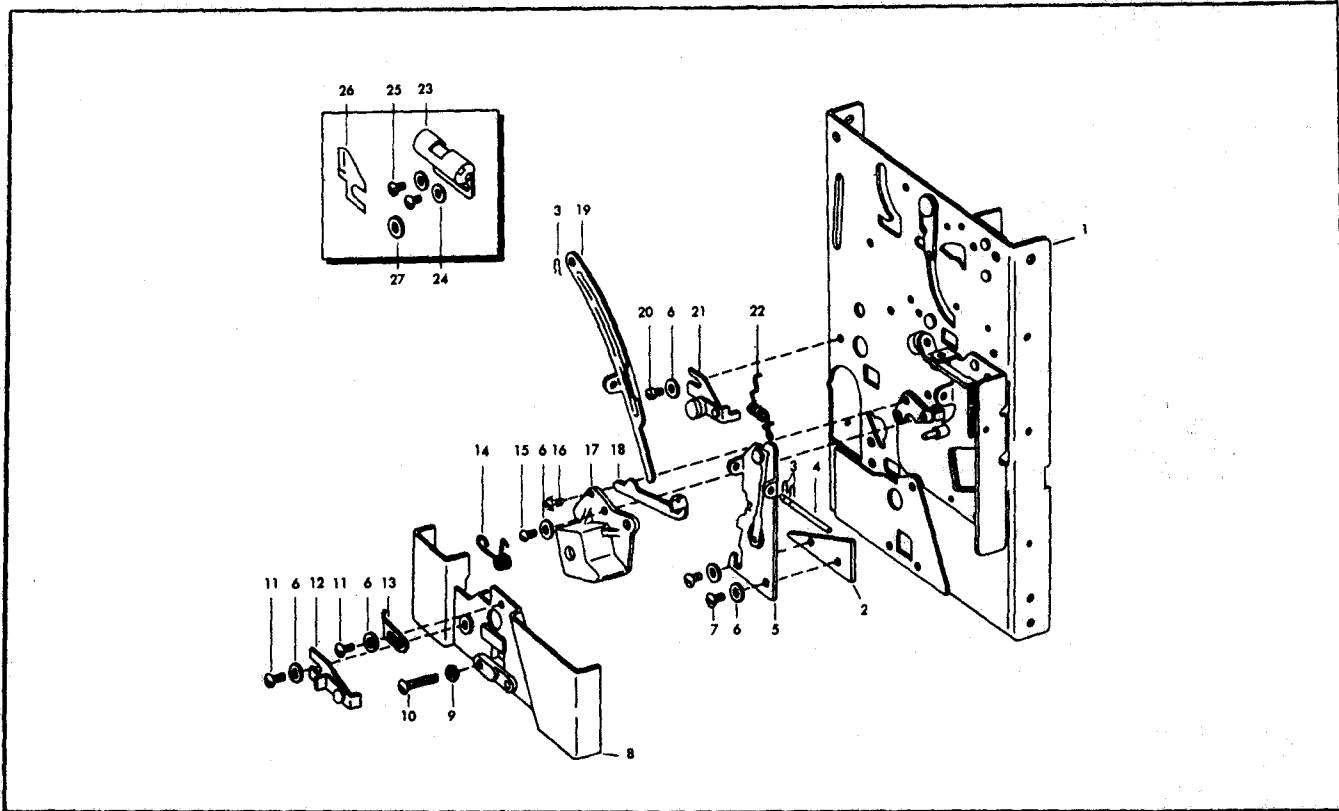


Fig. and Index No.	Part Number	Part Description	Total Quantity	Fig. and Index No.	Part Number	Part Description	Total Quantity
2-1	4900-6A	Mainplate Assembly	1	-16	S-102S	Screw - No. 6 - 32x5/16" R.H.I.M. Sems	1
-2	261-1	Runway - 10c	1	-17	260-73A	Bracket - 10c Magnet	1
-3	HPC-111	Cotter - Hair Pin	3	-18	260-6	Blade - 10c Wiper	1
-4	200-38	Rod - 10c Scavenger Pivot	1	-19	260-12	Bar - Push	1
-5	200-146A-260	Scavenger Assembly - 10c	1	-20	200-215	Screw - Separator Fastening	1
-6	BW-3	Washer - No. 6 Brass	6	-21	200-75A	Separator Assembly - 25c	1
-7	BS-99	Screw - No. 6 - 32x1/8" R.H. Brass M. (Not Plated)	2	-22	690-5	Spring - 10c Scavenger	1
-8	200-6	Plate - 10c Cover	1	ACCESSORIES			
-9	LW-2	Lockwasher - No. 6	1	-23	12-17A	Level Assembly - Spirit	1
-10	S-106	Screw - No. 6 - 32x5/8" R.H.I.M.	1	-24	BW-2	Washer - No. 4 Brass	2
-11	S-99	Screw - No. 6 - 32x1/8" R.H.I.M.	2	-25	S-41	Screw - No. 4 - 36x1/8" R.H.I.M.	2
-12	200-28A	Separator Assembly - 10c	1	-26	200-74	Spring - Shear (25c Path String Cutter)	1
-13	200-26	Deflector - 10c	1	-27	261-3	Washer - Shear Spring	1
-14	200-44	Spring - 10c Wiper Blade	1				
-15	S-102	Screw - No. 6 - 32x5/16" R.H.I.M.	1				

NOTE: When ordering parts, furnish the following information:

1. Rejector model number
2. Part number
3. Part name
4. Quantity
5. Name and model number of vendor on which used